

ACCESSORY MOUNTS

DRINK HOLDERS [114](#)

DEVICE MOUNTING SYSTEMS [116](#)

AUDIO [120](#)

CLOCKS & GAUGES [122](#)



DRINK HOLDERS



1500



1459



1487



1486

BEVERAGE CARRIER

Upgrade your Universal Drink Ring to accept most cups, cans or bottles. Easy on, easy off snap design that is also collapsible for storage. Made from PVC leather & works with any "ring" style drink holder.

1459 | Beverage Carrier Only (ea) | \$9.99

BEVERAGE CARRIER PLUS MOUNT

Need the whole package...something to hold your drink & the mount? Choose from the options below & you'll be set.

1460	Snap-N-Go Drink Ring with Beverage Carrier (ea) Fits: Universal Perch Mount or 1" Bar Applications	\$35.99
1488	Universal Drink Ring for 1" Bar with Beverage Carrier (ea)	\$49.99
1489	Universal Drink Ring for 1-1/4" Bar with Beverage Carrier (ea)	\$49.99
1500	Universal Drink Ring with Beverage Carrier (ea) Fits: Clutch or Brake Perch Mounts See Typical Applications for Mounting (Below)	\$59.99

SNAP-N-GO™ DRINK HOLDER

Even if you're wearing a full set of leathers you still shouldn't ride with a cup of hot coffee between your legs. These affordable drink holders mount on either the clutch or brake perch mounts or a 1" bar. With secure snap-on mounting, simply "snap-N-go" to install or remove! When removed it leaves an unobtrusive stud on your perch or a small clamp & stud for universal bar application. Select the drink holder style you desire & ride with the plush comforts you deserve.

Fits: Universal for 1" Bar or Clutch or Brake Perch Mount

See Typical Applications for Clutch/Brake/Perch Mounting Below
(Mounts with single M 6x1 or 1/4-20 Custom Fastener)

1486	Snap-N-Go with Stainless Steel Mug (ea)	\$39.99
1487	Snap-N-Go with Universal Basket (ea)	\$39.99
1469	Replacement Stainless Steel Küryakyn Travel Mug (ea)	\$18.99

Note: P/N 1487 accepts beverage containers from 2-3/8" to 3-1/2" in diameter. Clutch Perch & 1" Bar Clamp Mount included

TYPICAL APPLICATIONS FOR CLUTCH OR BRAKE PERCH MOUNTING

Honda

All VT1300 Custom Line (Sabre, Stateline, Interstate)

All Fury

All GL1500/1800 Models

All VTX1300/1800 Models

Shadow 750 Ace, Aero, Phantom, RS, & Spirit

Shadow 1100

Suzuki

Boulevard M/C50, C90, M109

Yamaha

All Road Star & Warrior Models (Brake Side Only)

All V Star Models (Brake Side Only)

All Venture Models

Note: Not for Yamaha Raider, Roadliner, Stratoliner, or Deluxe

Kawasaki

All Vulcan 900 Models (Brake Side Only)

Vulcan 1500/1600 Including Mean Streak

All Vulcan 2000 (Brake Side Only)

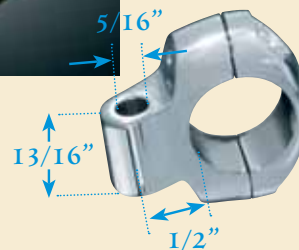
Universal

Universal for Clutch or Brake Perch Mounting (Bolts vertical spacing center to center at 1-1/16" to 1-9/16" apart to accept included M6x1 or 1/4-20 bolts)

Note: Clutch & Brake Perch Mounts do not install on Yamaha & Kawasaki cable clutch perch or with Küryakyn Master Cylinder Covers (P/N 9188, 9106, 9187, 7813, 1743 & 1746). For Honda '10-Up VT1300 Custom Line & '09-Up Fury, we suggest perch mount drink accessories only for tank clearance.



1472



ACCESSORY MOUNT KITS

Just need the mounting hardware for your accessory or drink holders? Clutch or Brake Perch Mounting or bar mounting.

1472	Fits: Clutch or Brake Perch See Typical Application Left	\$26.99
1420	Fits: 1" Bar (ea)	\$12.99
1468	Fits: 1-1/4" Bar (ea)	\$19.99
1415	Fits: 3/4", 5/8", & 1/2" Bars (ea)	\$18.99

Top Seller

UNIVERSAL DRINK HOLDERS

Bring your beverage with you on those hot or cold days! Mount your drink holder either on your handlebars or your clutch or brake perch mounts. The quick detach thumb screw mount leaves a simple clamp when not in use. Choose either the Universal Basket Holder or Stainless Mug with Mounting Ring to hold your beverage.

WITH BASKET

1422	Fits: 1" Bars (ea)	\$59.99
1475	Fits: 1-1/4" Bars (ea)	\$59.99
1462	Fits: Clutch or Brake Perch Mounts (ea) See Typical Applications for Mounting (left)	\$69.99
1429	Replacement Basket for Drink Holder (ea)	\$20.99

WITH STAINLESS STEEL MUG

1464	Fits: 1" Bars (ea)	\$59.99
1477	Fits: 1-1/4" Bars (ea)	\$59.99
1463	Fits: Clutch or Brake Perch Mounts (ea) See Typical Applications for Mounting (left)	\$69.99
1469	Replacement Stainless Steel Kuryakyn Travel Mug (ea)	\$18.99

Note: Universal Basket Holder accepts most average sized cups, cans, bottles & mugs with a 2" to 3 1/2" diameter.



1422

CHOOSE A STAINLESS STEEL MUG OR A BASKET - THEN CHOOSE TO MOUNT TO BARS OR PERCH MOUNTS!



1463



1488

BIKE MAPS

GOLDWING

CAN-AM

SPORT BIKE

LIGHTING

ACCESSORY MOUNTS

HANDLEBAR CONTROLS

FOOT CONTROLS

CHROME

LUGGAGE

TOURING

AIR CLEANERS

MISC

INDEX

DEVICE MOUNTING SYSTEMS

TECH-CONNECT™ System

NEW



1699

Renderings Shown

EASILY MOUNT & SECURE AN IPHONE, IPOD, SMARTPHONE, GPS OR SMALL DEVICE TO YOUR HANDLEBARS IN JUST SECONDS. AN ADJUSTABLE SWIVEL HEAD ALLOWS MOVEMENT FOR PERFECT POSITIONING & DISCONNECTS IN SECONDS! WE OFFER COMPLETE KITS; READY WITH ALL YOU NEED TO "MOUNT & GO" AS WELL AS INDIVIDUAL COMPONENTS SO YOU CAN CHOOSE THE SETUP THAT'S BEST FOR YOU. SEE BELOW FOR EASY-TO-ORDER INSTRUCTIONS.



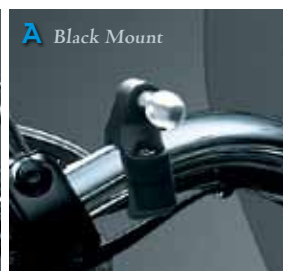
1699



1698



A & B Black Pivot Plate



A Black Mount



B & C Chrome Mount

TECH-CONNECT™ COMPLETE KITS

PERFECT FOR IPHONE!

Patent Pending

Includes: Standard Tech-Connect Device Holder & Standard Accessory Mount. Fits devices measuring 1-5/8" to 3-5/8" wide.

1699	Fits: 7/8", 1" & 1-1/4" Handlebars (kit)	\$49.99
1698	Fits: Clutch or Brake Perch See Typical Applications for Mounting - pg 114	\$59.99

OR

ORDER COMPONENTS

1. DETERMINE MOUNTING LOCATION
2. SELECT ACCESSORY MOUNT (RIGHT)
3. SELECT DEVICE HOLDER (RIGHT & PG 118-119)

1 MOUNTING LOCATION

Choose One Location

1. CLUTCH OR BRAKE PERCH MOUNT
2. BAR MOUNT
3. WINDSHIELD MOUNT



2

ACCESSORY MOUNT Choose A, B, C, or D

QUICK DETACH!

ACCESSORY MOUNTS

Use these mounts as the base to hold your favorite electronic device or gadget. Designed specifically to mount the Tech-Connect, Tech-Connect Pouch, Ram Device Holder or any other device with an AMPS 4 hole mounting pattern. Quick detach as well as an adjustable swivel head for perfect positioning.

C. PREMIUM - XL CHROME
INCLUDES ALL FEATURES FROM ABOVE, PLUS AN ALL CHROME, LARGE 2-1/2" WIDE X 3-3/4" TALL METAL PIVOT PLATE THAT OFFERS ADDITIONAL SLOTS & ACCEPTS STANDARD BELT CLIPS



C 1680

A. STANDARD - Black Pivot Plate & Black Mount

NEW

1671	Handlebar Mount - Fits: 7/8", 1" & 1-1/4" bars (ea)	\$29.99
1672	Clutch or Brake Perch Mount - See Typical Applications for Mounting (pg 114)	\$39.99
1674	Windshield Mount - Universal to mount strap bolt hole (for 1/4-20 or M6 bolt) Note: May require longer mount bolt, not included.	\$39.99

B. PREMIUM CHROME - Black Pivot Plate & Chrome Mount

NEW

1677	Handlebar Mount - Fits: 1" bars (ea)	\$39.99
1678	Handlebar Mount - Fits: 1-1/4" bars (ea)	\$39.99
1679	Clutch or Brake Perch Mount - See Typical Applications for Mounting (pg 114)	\$49.99

C. PREMIUM - XL CHROME - Large Chrome Pivot Plate & Chrome Mount. Hook & Loop Straps Included. Accepts Most Belt Clips.

NEW

1680	Handlebar Mount - Fits: 1" bars (ea)	\$59.99
1681	Handlebar Mount - Fits: 1-1/4" bars (ea)	\$59.99
1682	Clutch or Brake Perch Mount - See Typical Applications for Mounting (pg 114)	\$69.99
1683	Mounting Plate Update - Fits: Existing Universal Accessory Mounts - 1415, 1420-21, 1472-74, & 1468 (ea)	\$49.99

D. ECONOMICAL

NEW

Fits: Cut to fit tubing, square rails & irregular shapes from .5"-2.5" in diameter

4109	RAM EZ-Strap™ Mount (ea)	\$15.99
------	--------------------------	---------

Note: Not for mounting Accessory Pouches & not Quick Detach.



D 4109

3

DEVICE HOLDER

Choose E or F

E. TECH-CONNECT

NEW

Patent Pending

Requires Accessory Mount for installation. Sold separately - Above

1693	Standard Device Holder (ea) Fits devices measuring 1-5/8" to 3-5/8" wide (Perfect for iPhone)	\$29.99
1694	Large Device Holder (ea) Fits devices measuring 3-5/8" to 6" wide	\$29.99



Rendering Shown

THE MOST SECURE UNIVERSAL HOLDER ON THE MARKET

- Dual Screw Clamping to Quickly & Securely Hold Device
- Integrated Rubber Pads for No Slip

PERFECT FOR IPHONE!

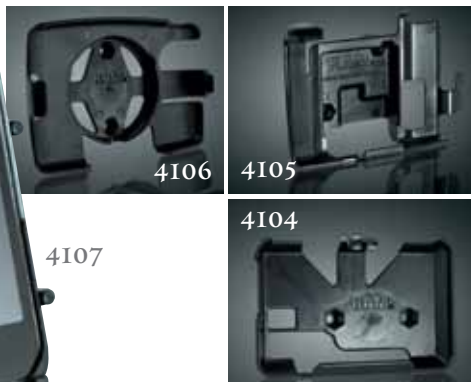
F. RAM®

Hold your GPS or devices with Ram's model specific cradles or universal holder. Requires Accessory Mount for installation. (Sold separately-Above)

4104	Fits: Garmin Nuvi 200 Models (ea)	\$12.99
4105	Fits: Garmin Nuvi 300 Models (ea)	\$12.99
4106	Fits: TomTom XL 300 Models (ea)	\$12.99
4107	Universal Spring Loaded Device Holder Fits devices 2-3/8" to 3-3/8" wide by 4-3/4" to 6-1/4"	\$19.99 NEW
4098	Fits: Garmin Nuvi 1300 Models (ea)	\$12.99 NEW
4099	Fits: Garmin Nuvi 1400 Models (ea)	\$13.99 NEW

Note: See www.kuryakyn.com for complete specific device model fitment.

ACCESSORY POUCHES ALSO COMPATIBLE - PG 118-119



4107

4106

4105

4104

BIKE MAPS

GOLDWING

CAN-AM

SPORT BIKE

LIGHTING

ACCESSORY MOUNTS

HANDLEBAR CONTROLS

FOOT CONTROLS

CHROME

LUGGAGE

TOURING

AIR CLEANERS

MISC

INDEX



ACCESSORY POUCHES

Take your pick; we have the perfect size holder for just about any type of handheld gadget. Their large, clear viewing window makes for easy reading of LCD screens on the fly & allows for full use of touch screen devices. Whether it be a cell phone, MP3 player, or portable GPS, rest assure that your device will be secure & easily accessible. Quick Detach rubber mounting strap included.

Fits: Universal for 3/4" to 1-3/4" Bars (Also mounts to Universal Accessory Mounts; Step #2 - pg 117)

1478	Small (ea) (3-1/2" Tall, 2-1/4" Wide, 3/4" Deep)	\$32.99
1479	Large (ea) (4-1/2" Tall, 3-1/4" Wide, 3/4" Deep) Note: Holds standard 3-1/2" x 3" E-Z pass.	\$32.99
4195	Xtra Large (ea) (4-1/4" Tall, 6-1/4" Wide, 3/4" Deep)	\$32.99

**XTRA LARGE
VERSION INCLUDES
FOAM PAD TO
SECURELY FIT EVEN
SMALL DEVICES**

QUICK DETACH STRAP

HOLDS STANDARD
E-Z PASS!



ACCESSORY SWITCHES FOR MASTER CYLINDER RESERVOIR COVERS

Control your accent lighting & additional motorcycle accessories at the tip of your fingers with these master cylinder Accessory Switches. Rated for 12V & up to 10 Amp accessories each, these switches add convenience & style to controlling those extras you add to your motorcycle.

Fits: Honda: All GL1500/1800, all VTX1800/1300, '09-'12 Fury, '10-'12 VT1300 Custom Line (Sabre, Stateline, Interstate) '96-'07 VLX600, '01-'12 750 Spirit, '02-'03 750 Ace Deluxe, '02-'12 Shadow 750 Ace/Aero/Phantom/RS/Spirit, '96-'04 Magna, '97-'99 1100 Ace Tourer, '98-'07 1100 Spirit, '99 1100 Aero, '02-'07 1100 Sabre, '97-'04 Valkyrie (except Rune)
Yamaha: '96-'01 Royal Star, '02 Royal Star Venture, '99-'12 Road Star 1600/1700, '02-'09 Road Star Warrior

Note: Does not install with other Master Cylinder Cover Accessories.

7803 | Accessory Switches for Master Cylinder Reservoir Covers (ea) | \$79.99

TECH-CONNECT Pouch

GREAT FOR IPHONES

Mount your iPhone or small touch screen device to your bike's handlebars in just seconds! This pouch conforms to your device for a snug fit & features both audio & charging ports at the top & bottom. Choose P/N 4127 with a quick on & off rubber strap to fit most handlebars, or for a more precise placement choose P/N 4128 equipped with an Accessory Mount with Quick Disconnect capabilities & Pivot adjustment.

NEW



Prototype Shown

4127	Tech-Connect Pouch - Mount with Rubber Strap (ea) Fits: Universal 3/4" to 1-3/4" Bars (Also mounts to Universal Accessory Mounts; Step #2 - pg 117)	\$35.99
4128	Tech-Connect Pouch - Mount with Accessory Mount (ea) Fits: 7/8", 1", & 1-1/4" Bars Note: Includes Standard Accessory Mount (P/N 1671 - pg 117).	\$48.99

INCLUDES FOAM PAD FOR SECURE FIT FOR EVEN THE SMALLEST DEVICES

BIKE MAPS

GOLDWING

CAN-AM

SPORT BIKE

LIGHTING

ACCESSORY MOUNTS

HANDLEBAR CONTROLS

FOOT CONTROLS

CHROME

LUGGAGE

TOURING

AIR CLEANERS

MISC

INDEX

EZ PASS HOLDER **NEW**

An easy-to-attach device that will securely hold an I-Pass™, E-Z Pass™ or other tollway transponders to a motorcycle without obstructing the rider's view or grip. Can be mounted to handlebars, perches, engine guards or windshields using additional hardware & clamps (sold separately).



1685

Fits: Universal for mounting to top clutch or brake perch bolt, windshield strap mounting bolt, or Mounts with P-Clamp (pg 105) (Requires additional 1/4-20 bolt for mounting w/P-Clamp)

1684	Chrome (ea)	\$44.99
1685	Black (ea)	\$34.99

Note: Not suggested for mounting on clutch or brake perch with other accessories mounted in same location.



1684

POWER AT YOUR FINGERTIPS!

ELECTRICAL POWER POINT

Perfect for plugging in your cell phone, iPod, GPS, air pump, or any other electrical device taken on the road. This power point/cigarette lighter will keep them charged. Built into our Silver Bullet light housing & comes with everything you need to connect directly to your battery with a quick disconnect. Mount it above your handlebars or check for tank clearance & mount it below (shown in image right).

1423	Fits: 1" Handlebars (ea)	\$69.99
1476	Fits: 1-1/4" Handlebars (ea)	\$69.99
1483	Fits: All Clutch or Brake Perch Mounts (ea) See typical applications (pg 114)	\$79.99



1423

1483

AUDIO

UPGRADED SPEAKERS FOR VICTORY!

KICKER KPS52504 4 OHM SPEAKERS

We don't simply use car audio speakers with a new sticker & call them bike speakers. These are the real deal & once you put them in you'll be blown away. These speakers are weather-proof, high-efficiency coaxials specifically created as fairing drop-ins or as replacements for rear speakers on Victory bikes equipped with stock speakers. Extremely powerful, these 4 ohm speakers are lighter than anything on the market. These speakers leave the competition stuck in the dark ages with the same old heavy & dull sounding speakers.

SPEAKER SPECS

- Woofer: 5.25"
- Tweeter: 3/4"
- Max Recommended Amp Power (Peak/RMS): 100W/50W
- Weight: 12.6 oz



Fits: All Victory Vision Tour, Vision 8-ball & Vision Cross Country

Note: Some applications may require longer screws (not included).

874 | Kicker KPS52504 4 ohm Speakers (set) | \$249.99



USB POWER SOURCE

NEW

Charging your device just got even easier. Featuring two USB ports & 2.1a output to provide enough output for charging any modern device including iPads. Mount anywhere you choose including inside your tour pack, on the dash, or on your handlebars.

Fits: Universal - Requires 1" x 1" flat surface or 1" of straight 1" bar for mounting (Connects directly to battery with in line fuse)

WORKS GREAT WITH FAT CAT ACCESSORY CHARGER

1688 USB Power Source (ea) \$45.99



Rendering Shown

INCLUDES
MOUNT FOR 1"
HANDLEBARS

GREAT FOR CHARGING IPHONES, IPODS,
CELL PHONES, GPS, OR ANY DEVICE WITH
STANDARD USB CONNECTION



CORE SYSTEM FOR IPOD®

The Soundgate® Core system lets you connect an iPod® directly to your factory or aftermarket radio & provides video output from compatible iPods (including the iPod Classic, Touch & Nano). The included SoundGate CORE interface supplies power & charges your iPod.

Includes: CORE for iPod, 3.5mm to a/v RCA cable, 3.5mm to 3.5mm cable, cigarette lighter charger, 3 wire power cable for optional hardwire installation

Fits: Allows for connection to any factory or aftermarket source unit with RCA or 1/8" (3.5mm) audio inputs using the supplied cables

876 | Soundgate® Core System Package (kit) | \$62.99



FAT CAT ACCESSORY CHARGER

NEW

Now you can charge just about any electronic device from your electrical power point. Featuring two USB ports, one with 1A & one 2.1A of output, to charge multiple devices such as an iPhone, iPod, GPS, Droid, & even an iPad!

Fits: Universal - Plugs into cigarette lighter

Will charge iPhones & most current cellphones & devices

891 Fat Cat Accessory Charger (kit) \$29.99



BIKE MAPS

GOLDWING

CAN-AM

SPORT BIKE

LIGHTING

ACCESSORY MOUNTS

HANDLEBAR CONTROLS

FOOT CONTROLS

CHROME

LUGGAGE

TOURING

AIR CLEANERS

MISC

INDEX

GREAT LOOKS WITH AMAZING SOUND!

THE SOUND OF CHROME™

This system rocks! The 2nd Generation looks, performs, & sounds even better! No compromise here with the perfectly designed 3" main speakers with additional tweeters for full bodied sound. The weatherproof bullet housing has powerful built-in true 50 watt amplifier & includes a volume & on/off control switch. Convenient swivel adjustment gives you the freedom to position speakers in any direction you choose. With a full plug-&-play wiring harness, noise purifier & standard 3.5 mm jack, simply connect your iPod, MP3 player, satellite radio, personal CD player, etc. & ride on.

852	Chrome Fits: 1" Handlebars (set)	\$399.99
851	Chrome Fits: 1-1/4" Handlebars (set)	\$399.99
832	Gloss Black Fits: 1" Handlebars (set)	\$399.99

NEW

Note: Not suggested for use with FM/AM radios, as this may cause interference.



852



832

ACCESSORY CLOCKS & GAUGES



A. RITCHIESPORT® COMPASS WITH MARLIN'S MOUNT

NEW

- Marlin's Brake/Clutch or Handlebar Mount Kitted with a RitchieSport® Compass
- Compass Molded in High Impact/High Temp Black Composite
- 2" Direct-Reading, High Visibility Dial
- Removable Internal Green Night Lighting
- Hardened Steel Pivot & Sapphire Jewel Movement
- Built-In Compensators

6043	For 7/8" or 1" Bars (ea)	\$94.99
6045	For 1-1/4" Bars (ea)	\$104.99
6047	For Brake/Clutch Mount (ea)	\$74.99

IMPORTANT: NOT FOR USE ON MOTORCYCLES WITH RADIOS, SPEAKERS, OR STRONG MAGNETIC FIELDS.

B. MARLIN'S TALON MOUNT

- Mounts to 1" or 7/8" bars
- Non-marking, soft tipped hidden set screw

6052	Clock, Black (ea)	\$53.99
6053	Clock, Electroluminescent (ea)	\$68.99
6054	Thermometer, Black (ea)	\$53.99
6055	Thermometer, White (ea)	\$53.99



C. MARLIN'S BRAKE/CLUTCH MOUNT

- Fits H-D & most Metric bikes (may require a spacer)
- Great for windshields or any location with 1/4" (or 6mm) screw
- Head swivels for fine tuning position & locks when tightened (clock/thermometer face can be rotated in the housing)

6032	Clock, Black (ea)	\$48.99
6033	Clock, Electroluminescent (ea)	\$63.99
6034	Thermometer, Black (ea)	\$48.99
6035	Thermometer, White (ea)	\$48.99

D. MARLIN'S TOCS

- Infinite places to mount – use included double sided tape or use the mounting hole to screw in place
- Includes 1/4"-20 screw for Road King tank panel
- Great for windshield & handlebar bag installation

6044	Clock, Black (ea)	\$42.99
6046	Thermometer, Black (ea)	\$42.99

WHITE ELECTROLUMINESCENT FACE OFFERED ON SELECT STYLES!



E. MARLIN'S BULLET BILLET

- Split mount for easy installation
- Requires 2" of straight handlebar for installation (Recommended 3" from bends)

6036	Clock for 1" or 7/8" Bars, Black (ea)	\$74.99
6037	Clock for 1" or 7/8" Bars, Electroluminescent (ea)	\$89.99
6038	Thermometer for 1" or 7/8" Bars, Black (ea)	\$74.99

F. MARLIN'S HANDLEBAR MOUNT

- Mounts to 1" or 7/8" bars (clear plastic isolator included for 7/8" applications)
- Split ring mount for easy installation
- Clock head rotates & swivels to adjust to any position

6028	Clock, Black (ea)	\$74.99
6029	Clock, Electroluminescent (ea)	\$89.99
6030	Thermometer, Black (ea)	\$74.99
6031	Thermometer, White (ea)	\$74.99

Note: Models accept replaceable batteries & features sun-charged, glow-in-the-dark faces.



L.E.D. BATTERY GAUGE

Our L.E.D. Battery Gauge is an array of L.E.D.'s indicating the operating voltage of the bike's electrical system. Green L.E.D.'s represent the normal operating range of your charging system, 12.5v to 14.5v. Amber L.E.D.'s warn the rider that the bike is not charging. If the reading drops below 10v or exceeds 15v, a flashing red L.E.D. will alert the rider of an impending stall or the possibility of damage to the battery &/or sensitive electronic components on the motorcycle. Simple two-wire connection & a compact size (about 2" x 3/4" x 3/16") make installation a breeze. A daylight sensor automatically adjusts the brightness of the L.E.D.'s.

4219	L.E.D. Battery Gauge, Chrome (ea)	\$44.99
4218	L.E.D. Battery Gauge, Black (ea)	\$44.99